

**Schuco Ridgelight Skylight  
with Wall abutment and Vergé detail**

**Technical Information**

Type of Skylight: Ridgelight Skylight with Vergé end

Range of Pitch (°): 15° to 50°

Span (m): 0.6 to 8.0

Ends: Vertical, Wall abutment, Open, Hipped

Ventilation Types: Hinged opening windows, Smoke ventilation

**KEY**

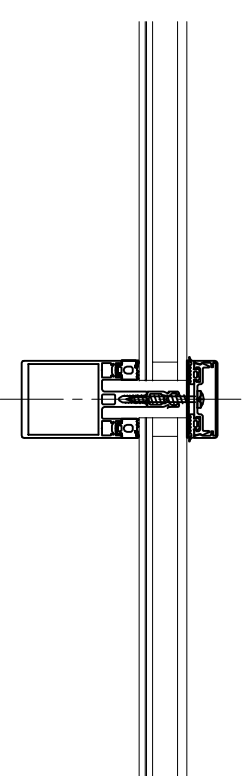
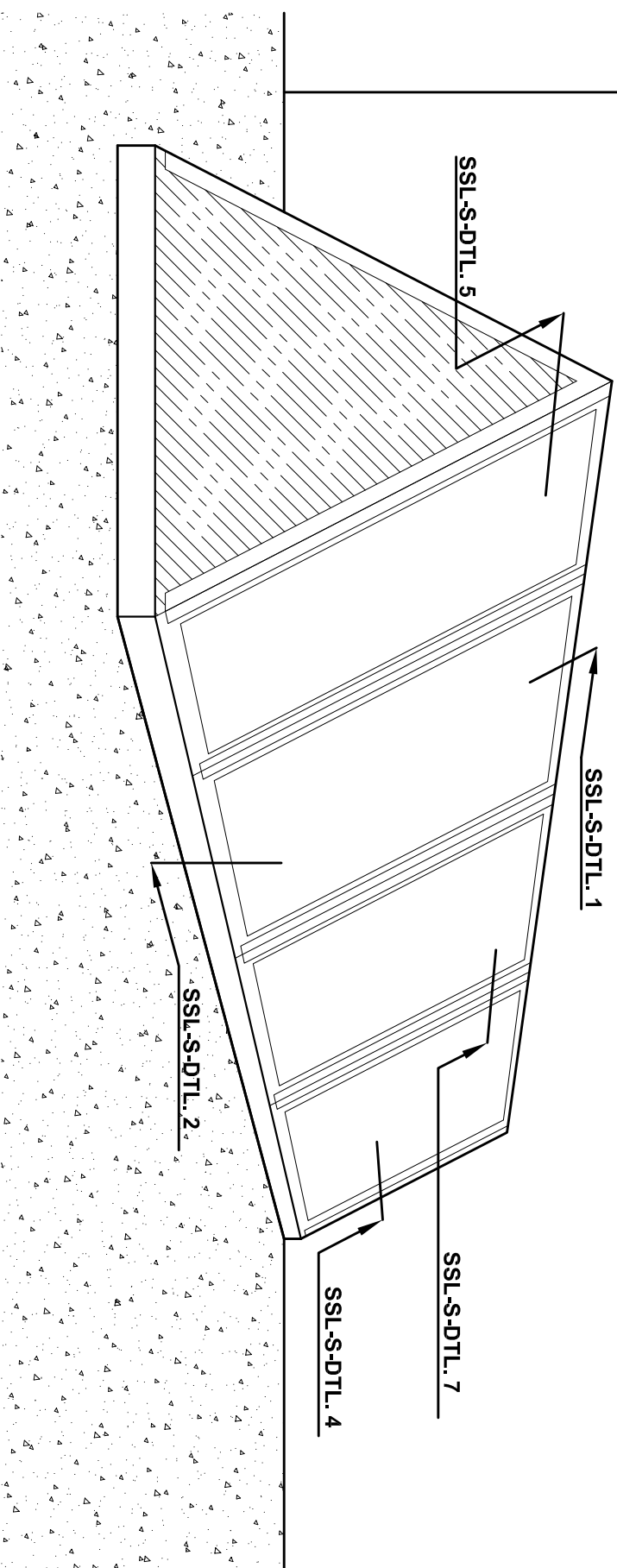
SSL-S-DTL.1 Ridge detail

SSL-S-DTL.2 Kerb detail

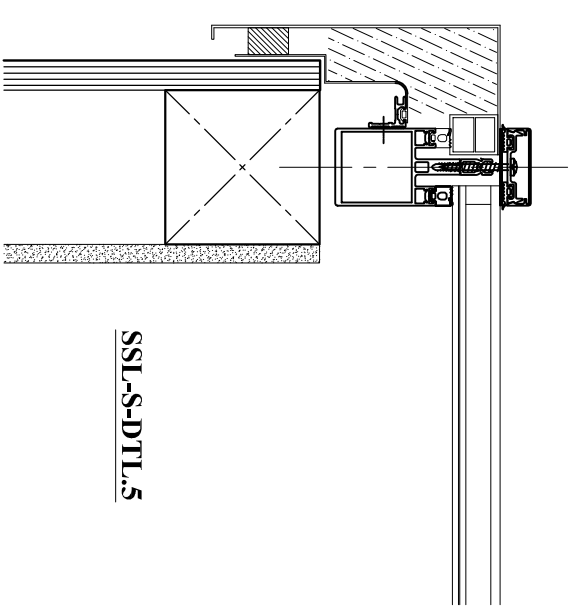
SSL-S-DTL.4 Wall Abutment detail

SSL-S-DTL.5 Vergé detail

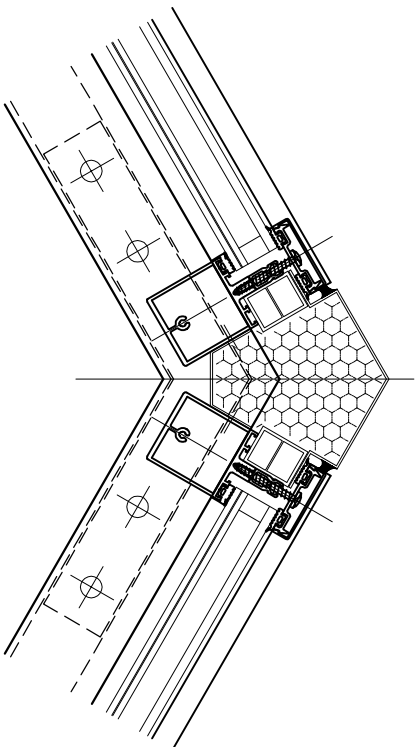
SSL-S-DTL.7 Cross section through glazing rafter



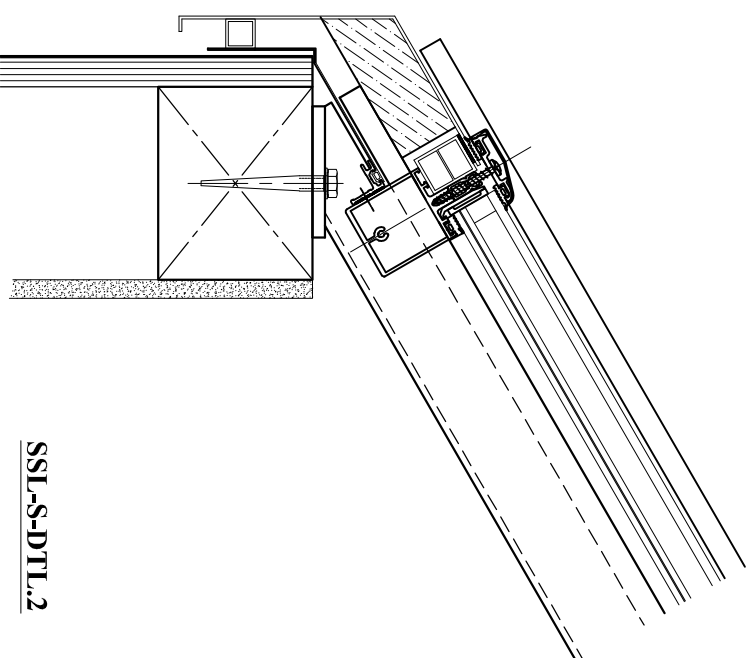
SSL-S-DTL.7



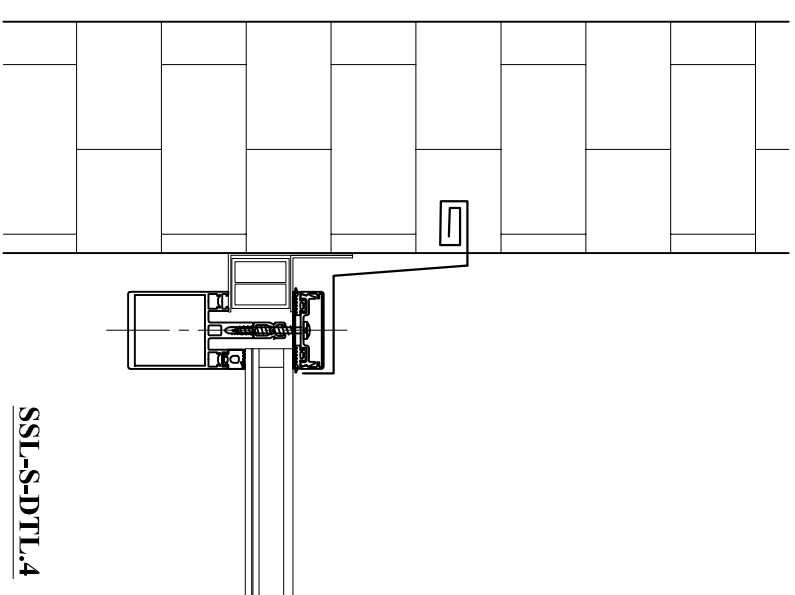
SSL-S-DTL.5



SSL-S-DTL.1



SSL-S-DTL.2



SSL-S-DTL.4

rev	description	date	by

**Skylight Solutions Ltd**

1 Quarry Court, Quarry Rd, Pritstone, Green Business Park, Nr Leighton Buzzard, Beds LU7 9GW  
 tele: +44 (0)1296 662221 fax: +44 (0)1296 662066  
 email: info@skylightsolutions.co.uk  
 website: www.skylightsolutions.co.uk

architect

client

contract

title  
**Schuco Ridgelight Skylight  
 with Wall abutment and Vergé  
 detail**

drawn	date	scale	checked

contracts no.  
 drawing no. SSL-Schuco

Note : This Drawing MUST  
 NOT Be Copied Or Passed  
 To A Third Party Without  
 Written Consent From :  
**Skylight Solutions Ltd**