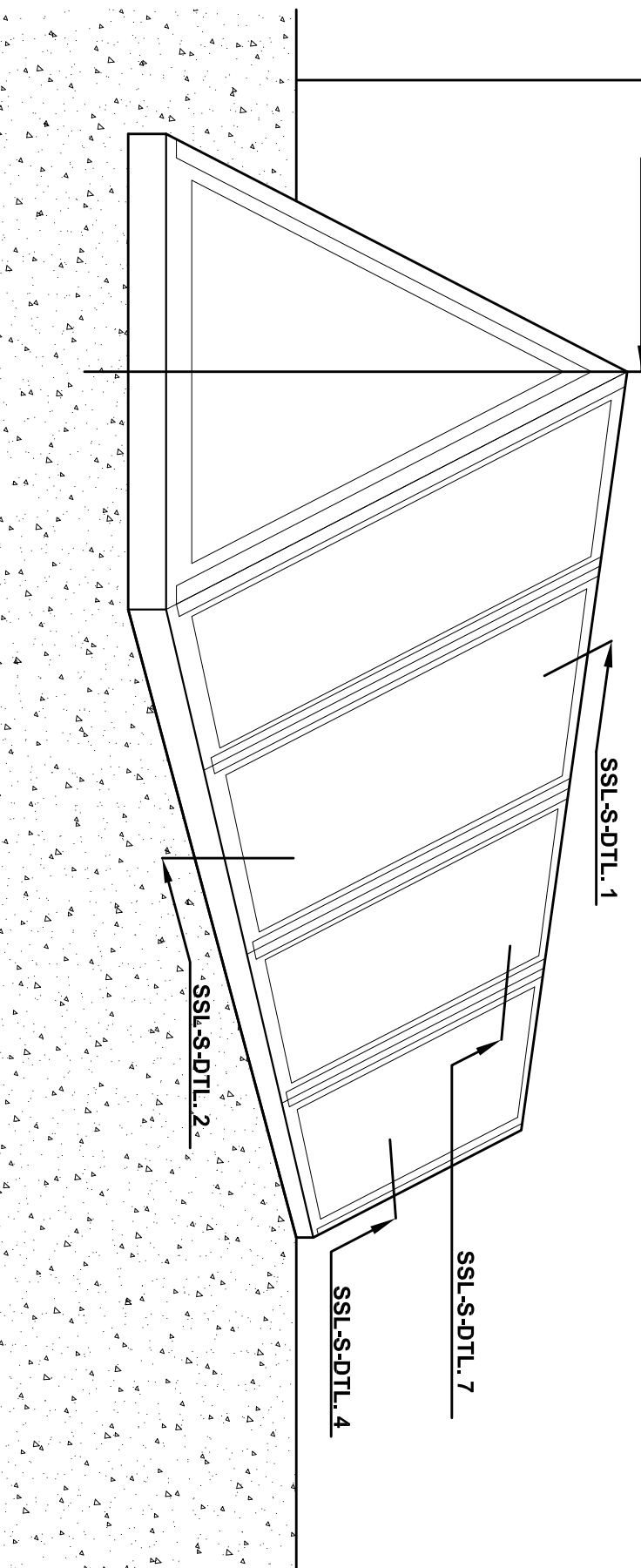


**Schuco Ridgelight Skylight
with Wall abutment and Endscreen detail**

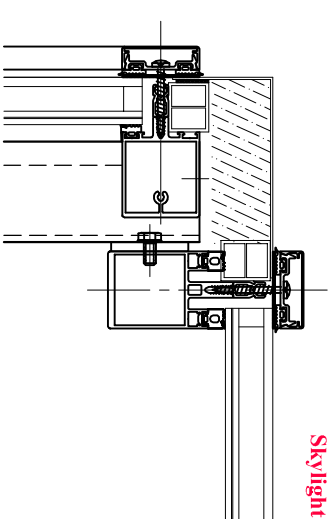
Technical Information

Type of Skylight:	Ridgelight Skylight with Endscreen detail
Range of Pitch (°)	15° to 50°
Span (m)	0.6 to 8.0
Ends	Vertical, Wall abutment, Open, Hipped
Ventilation Types	Open, Hipped Hinged opening windows, Smoke ventilation

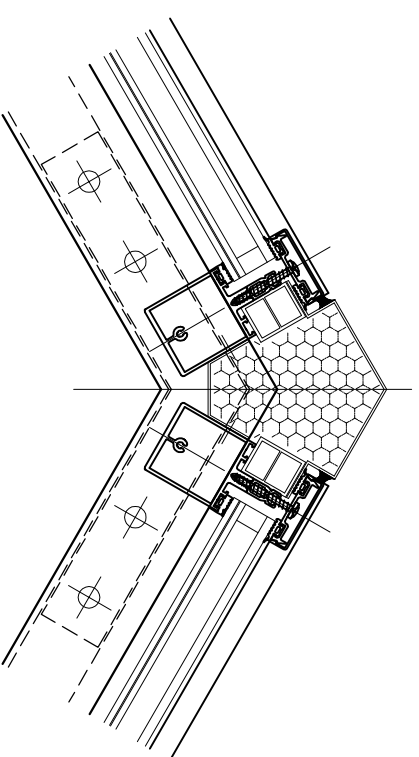
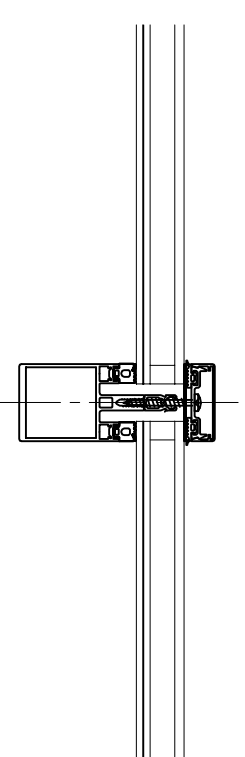
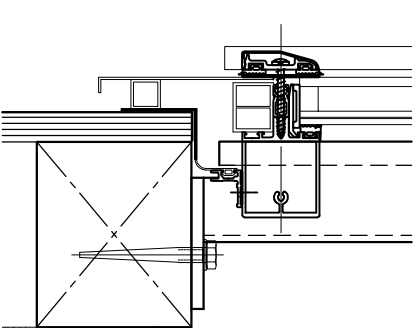


KEY

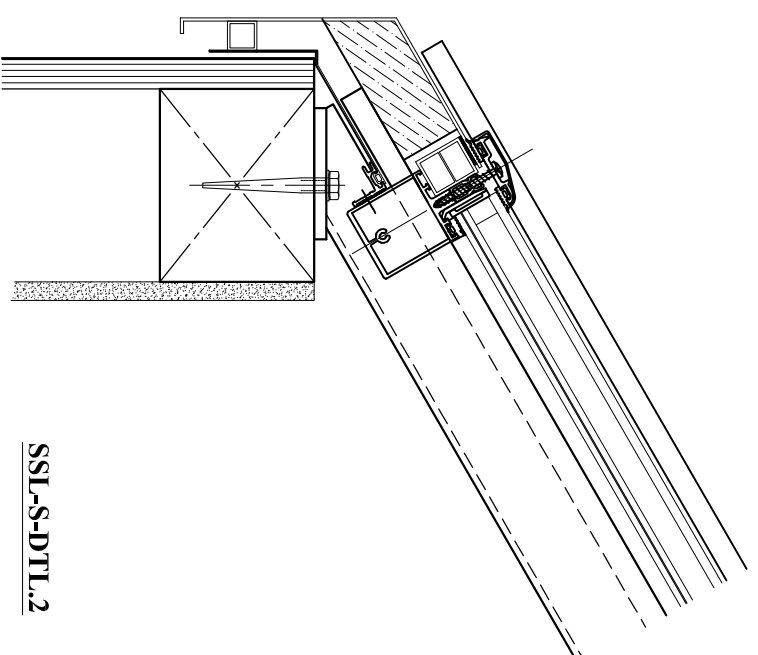
SSL-S-DTL.1	Ridge detail
SSL-S-DTL.2	Kerb detail
SSL-S-DTL.4	Wall Abutment detail
SSL-S-DTL.6	Endscreen detail
SSL-S-DTL.7	Cross section through glazing rafter



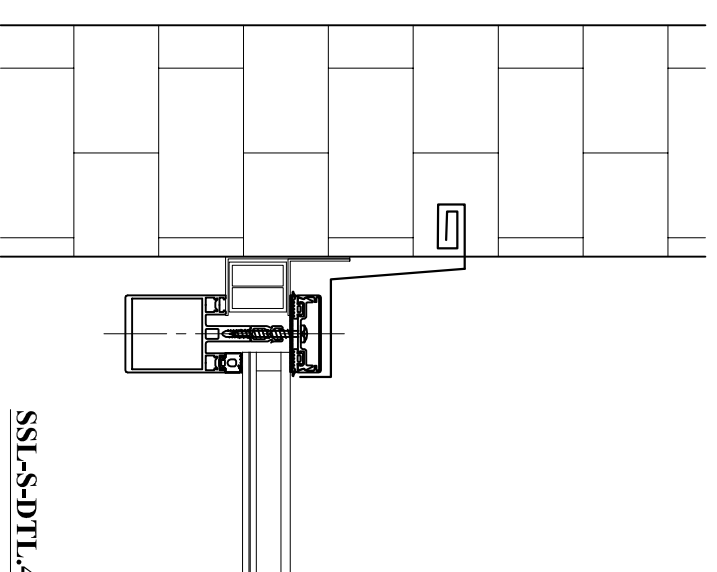
SSL-S-DTL.6



SSL-S-DTL.1



SSL-S-DTL.2



SSL-S-DTL.4

Note : This Drawing MUST
NOT Be Copied Or Passed
To A Third Party Without
Written Consent From :
Skylight Solutions Ltd

rev	description	date	by

Skylight Solutions Ltd

1 Quarry Court, Quarry Rd, Pristone, Green Business
Park, Nr Leighton Buzzard, Beds LU7 9GW
tele: +44 (0)1296 662221 fax: +44 (0)1296 662066
email: info@skylightsolutions.co.uk
website: www.skylightsolutions.co.uk

architect

client

contract

title
**Schuco Ridgelight Skylight
with Wall abutment and Endscreen
detail**

drawn	date	scale	checked

contracts no.

drawing no. SSL-Schuco