

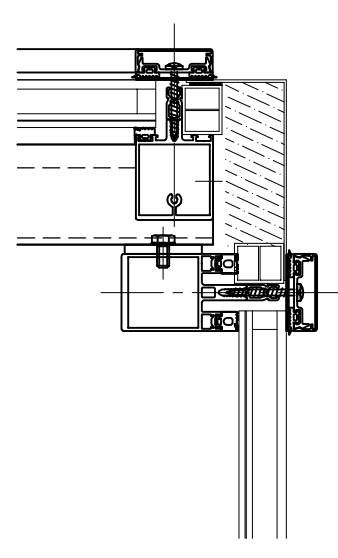
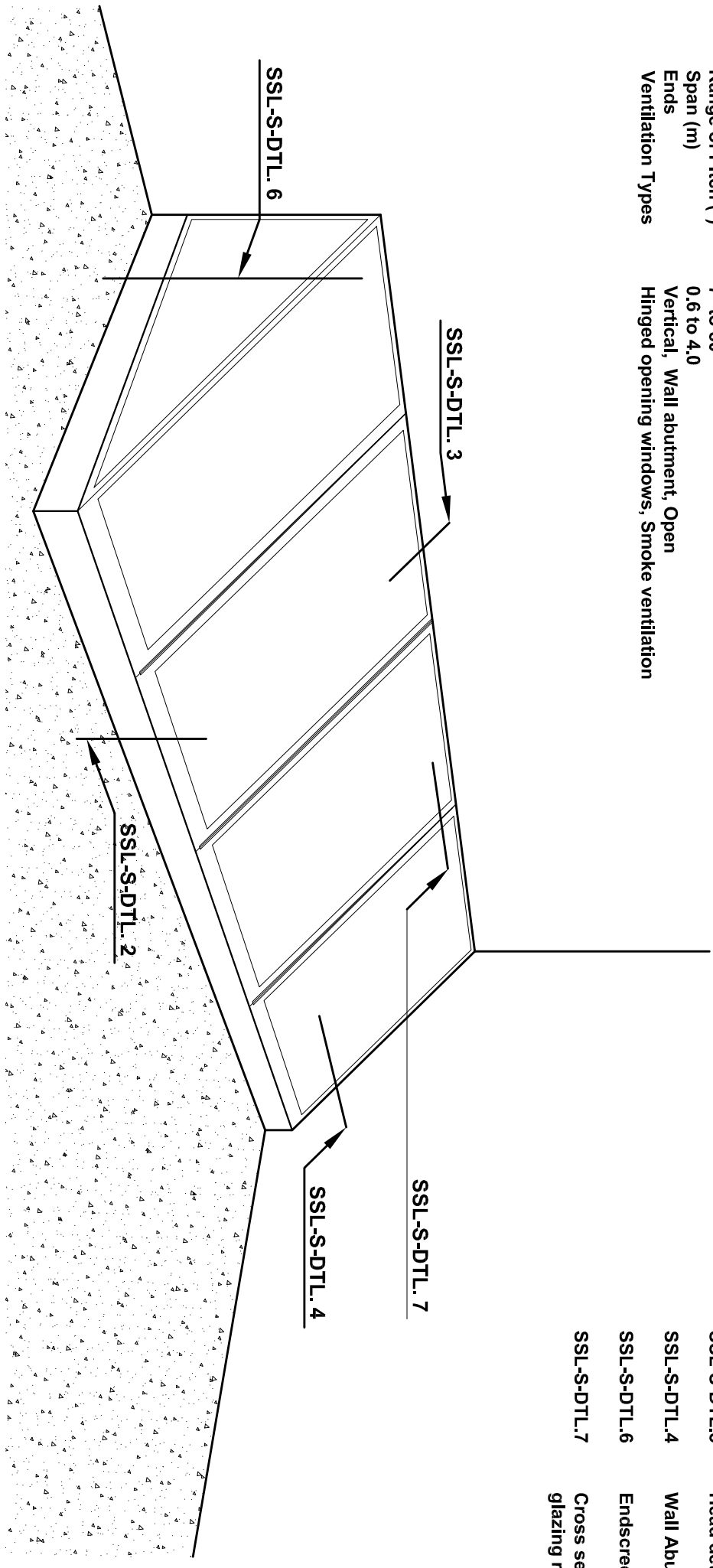
Schuco Monopitch Skylight with Wall abutment and Endscreen detail

Technical Information

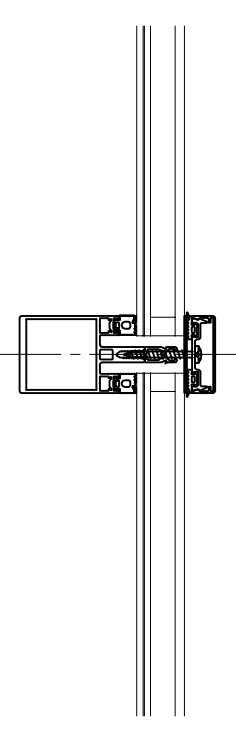
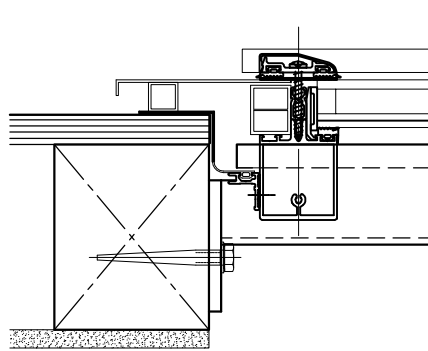
Type of Skylight: Monopitch
 Range of Pitch (°): 7° to 50°
 Span (m): 0.6 to 4.0
 Ends: Vertical, Wall abutment, Open
 Ventilation Types: Hinged opening windows, Smoke ventilation

KEY

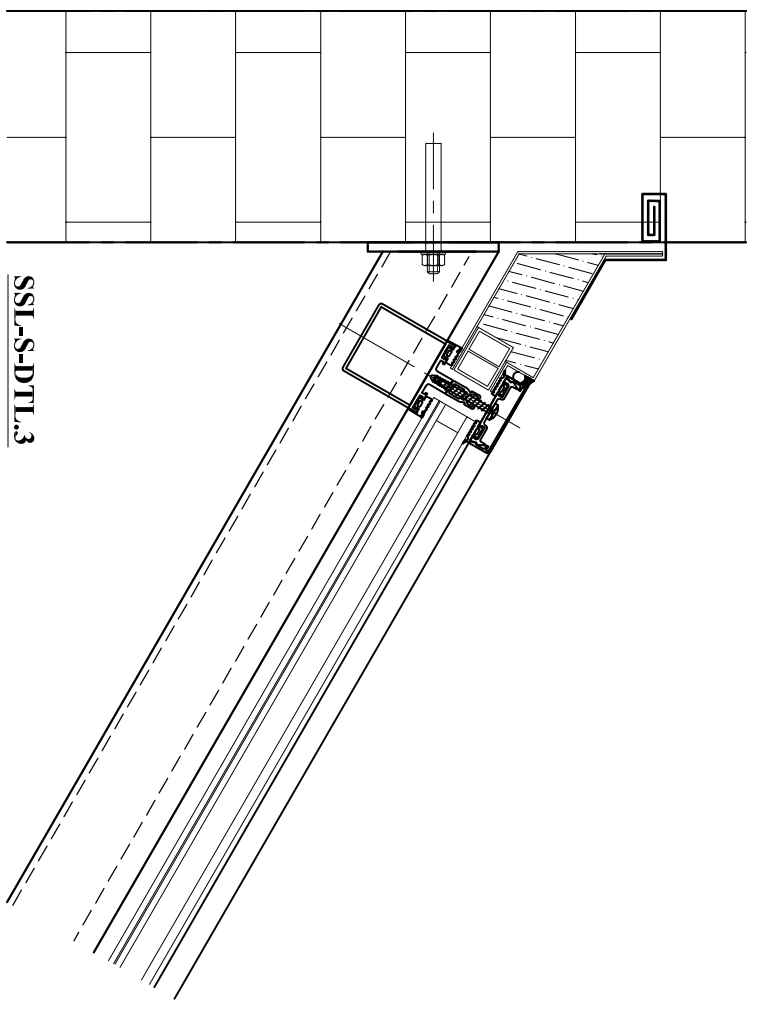
SSL-S-DTL.2 Kerb detail
 SSL-S-DTL.3 Head detail
 SSL-S-DTL.4 Wall Abutment detail
 SSL-S-DTL.6 Endscreen detail
 SSL-S-DTL.7 Cross section through glazing rafter



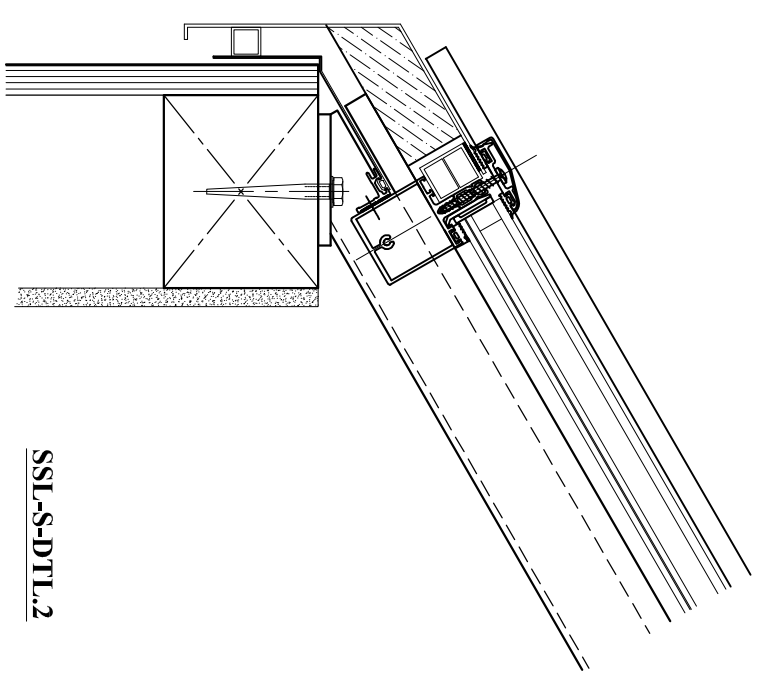
SSL-S-DTL.6



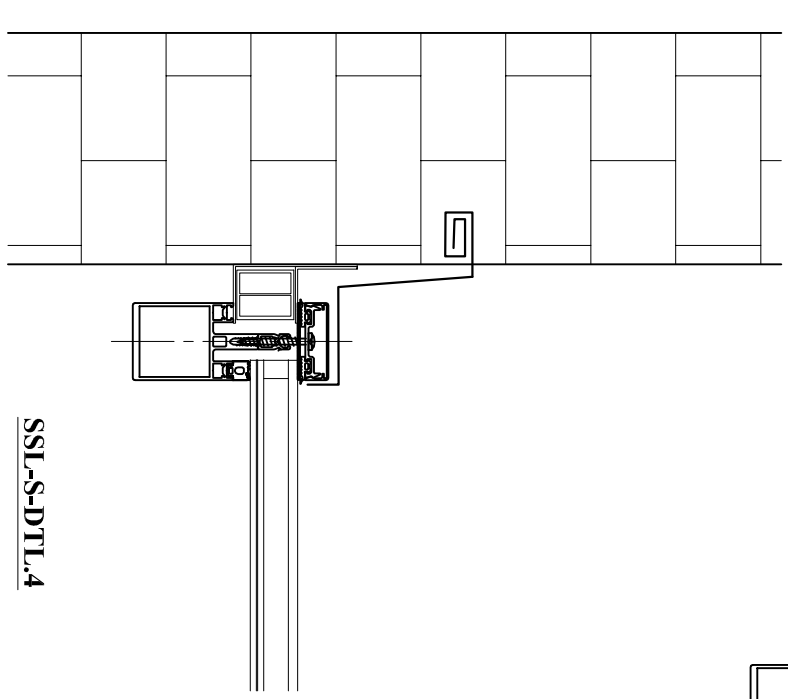
SSL-S-DTL.7



SSL-S-DTL.3



SSL-S-DTL.2



SSL-S-DTL.4

rev	description	date	by

Skylight Solutions Ltd
 1 Quarry Court, Quarry Rd, Pristone, Green Business Park, Nr Leighton Buzzard, Beds LU7 9GW
 tele: +44 (0)1296 662221 fax: +44 (0)1296 662066
 email: info@skylightsolutions.co.uk
 website: www.skylightsolutions.co.uk

architect: **Skylight Solutions Ltd**
 client: **Schuco**
 contract: **Schuco Monopitch Skylight with Wall abutment and Endscreen detail**

drawn	date	scale	checked

contracts no. **SSL-Schuco**
 drawing no. **SSL-S-DTL.4**

Note : This Drawing MUST NOT Be Copied Or Passed To A Third Party Without Written Consent From : **Skylight Solutions Ltd**